



**POLICON**  
*Engineering & Manufacturing*

# *Carbon black hopper*

# Carbon black hopper

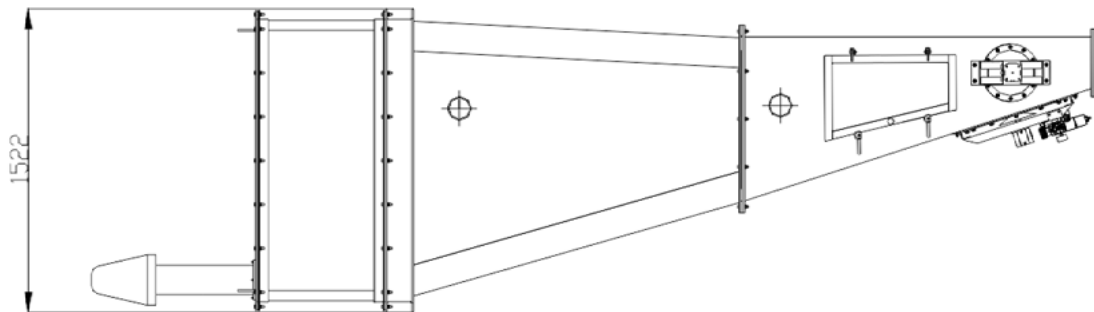
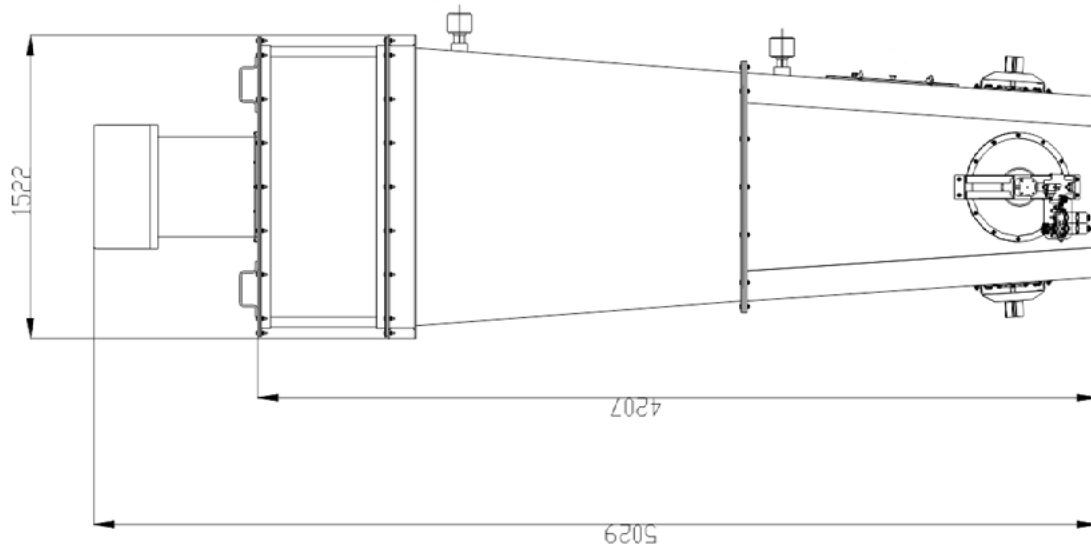
The hopper is designed to create a technological stock of carbon black in the rubber mixer zone and store it before it is fed by the feeder to the dosing device.



## Features:

- the hopper is made of stainless steel or carbon steel with a protective polymer coating.
- relays for upper and lower material levels are installed.
- for ease of maintenance, a hatch is located on the lower section.

# Carbon black hopper



# Carbon black hopper



## Technical Specification:

|  |           |         |
|--|-----------|---------|
| Hopper Model: .....  | BTU - 4,5 | BTU - 8 |
| Hopper volume full, m3 .....                                   | 4,5       | 8,0     |
| Compressed air pressure in the pneumatic system, MPa, not less | 0,4 - 0,6 |         |
| Compressed air consumption, m3 / h, no more .....              | 0,38      |         |
| Power Management:  |           |         |
| voltage, V .....   | 24        |         |
| current .....  | constant  |         |
| Type of vibrator .....   | pneumatic |         |
| Level switch .....   | vibration |         |
| Overall dimensions, mm, no more                                |           |         |
| length .....   | 1 522     | 2 068   |
| width .....  | 1 522     | 1 918   |
| height .....   | 4 207     | 4 214   |
| Weight, kg, no more .....                                      | 900       | 1 240   |

This product can be manufactured according to the technical specifications of the customer, taking into account its predetermined parameters and features.

## **Food Machinery**

**Machinery for tires, rubber, plastics manufacturing**

**Modernization and automation of production**

**Non-standart equipment**

**Production of spare parts, components, assemblies**

**Outsourcing services - repair and maintenance of  
equipment**

**Global engineering solutions**



**Policon JSCo**

**194 Lermontov Str, Omsk 644009, Russia**

**Tel./Fax: +7 (3812) 36 74 12, 36 74 02, 48 48 30**

**e-mail: [info@policon-rt.ru](mailto:info@policon-rt.ru)**

**[www.policon-rt.ru](http://www.policon-rt.ru)**